

FSB Top Entry Series Single Bag Filter Housings

150 psig, Top Inlet Filter Bag Housings Offer Durability and Flexibility in a Wide Range of Application

- Top Inlet Design Delivers Better Filtration Results by Promoting More Uniform Flow Rate
- Double O-ring Sealing Enhance Better Sealing Solution and Easy Operation
- High Finish Interior Avoids Particle Contamination and Allows for Easy Cleaning
- Standard Eye-Bolt Closure Provides Added Durability and Easy Bag Change-Out
- Available in 304 or 316 Stainless Steel Providing Superior Corrosion Resistance and Chemical Compatibility
- Compatible with Size 1 and Size 2 Filter Bags as well as Filtrafine's Range of High Surface Area Filter Elements
- Size 3 and Size 4 Bag Filter Housings Also Available
- Adjustable Leg Assembly is Standard for Easy Installation
- Optional Electro-Polished Finish



Housing Specifications

Materials of Construction:

	<u>A</u>	<u>S</u>
• Head:	304 Stainless Steel	316 Stainless Steel
• Shell:	304 Stainless Steel	316 Stainless Steel
• Vent Cap:	304 Stainless Steel	316 Stainless Steel
• Internal Components:	304 Stainless Steel	316 Stainless Steel
• Shell O-rings:	Standard: Optional:	EPDM Viton, Teflon Encapsulated Viton, Silicone

Connections:

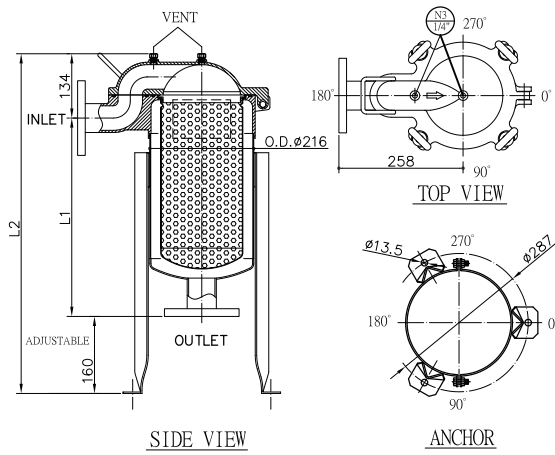
- Inlet/Outlet: 1" (34mm) for #3 and #4 Housing FNPT, ANSI Flanged
2" (60.3mm) for #1 and #2 Housing NPT, ANSI Flanged
- Vent: 1/4" (13.7mm) NPT
- Optional Connection: JIS, DIN Flanged, PT, BSP

Performance Specifications

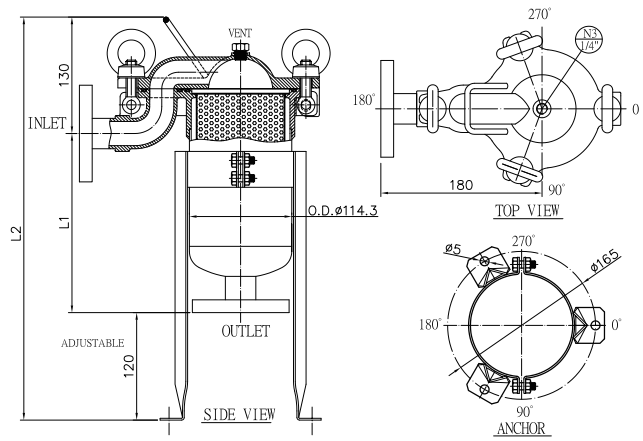
- Maximum Operating Pressure: 150 psig (10.3 bar) @ 200°F (93°C) in Liquid Service

Dimensional Data

Model	Liquid Flow Rate gpm (m ³ / hr)	Dimension	
		L1 Inches (mm)	L2 Inches (mm)
FSB1-T-2	90(20)	16.2"(412)	27.8"(706)
FSB2-T-2	180(40)	30.6"(777)	42.2"(1071)
FSB3-T-1	25(5.5)	7.9"(200)	17.7"(450)
FSB4-T-1	50(11)	14"(355)	23.8"(605)



#1,#2 Bag Filter Housing



#3,#4 Bag Filter Housing

Ordering Information

FSB Model	1 Bag Size	A - Material of Construction	T - Bag Housing Type	2 Inlet / Outlet Connection	F Connection Styles	A - Connection Specification	M Special
FSB	1 = 01 2 = 02 3 = 03 4 = 04	A = 304 SS S = 316 SS	T = Top - Entry	1 = 1" 2 = 2"	F = Flange T = Thread	A = ANSI Flange J = JIS Flange D = DIN Flange N = NPT Thread P = PT Thread B = BSP Thread	M = Modify EP = Electro-Polished