

# H

## IDV- 6 Series Filter Housings

*175 psig, Accepts Filtrafine Mega-Flow 226 O-rings with Flat Closed End Filter Cartridge, Electro-polished, 316 Stainless Steel*

- Absolute Cartridge Sealing Design Eliminates Fluid Bypass
- Accepts 10" and 20" Filtrafine Mega – Flow Filter Cartridge
- Innovative Housing Design has no Internal Parts
- Operator Friendly Tri – Clamp Sealing Design Requires no Special Tools to Open and Close Housing
- Permits Visual Inspection of Cartridge to Housing Seal Prior to Closing the Housing



### Housing Specifications

#### *Materials of Construction:*

- Head: 316 Stainless Steel
- Shell: 316 Stainless Steel
- Mounting Bracket: 304 Stainless Steel
- Gaskets/O-rings: Standard: EPDM  
Optional: Viton, Teflon Encapsulated Viton, Silicone

#### *Connections:*

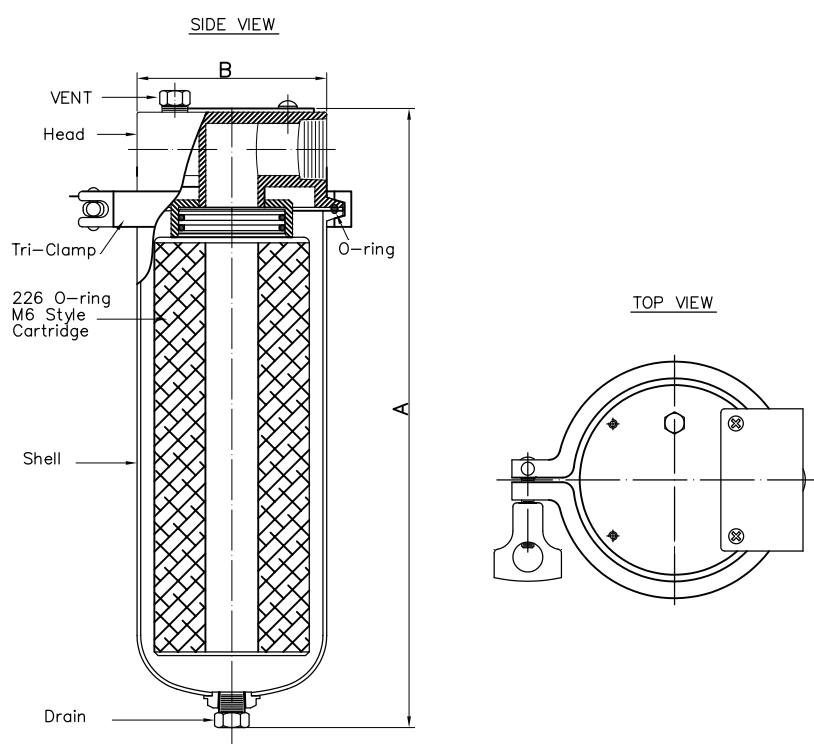
- Inlet/Outlet: 1" (33.4mm) FNPT
- Vent/Gauge: 1/8" (10.3mm) NPT
- Drain: 1/4" (13.7mm) NPT

### Performance Specifications

- Maximum Operating Pressure: 175 psig (12.1bar) @ 150°F (66°C)

## Dimensional Data

Model	Liquid Flow Rate gpm (lpm)	Dimension Inches (mm)		Dry Weight lbs (kg)
		A	B	
IDV10S-1	to 20 (75.7lpm)	13.0" (332mm)	4.7" (119mm)	12.3lbs (5.6kg)
IDV20S-1	to 40 (151.4lpm)	23.1" (586mm)	4.7" (119mm)	15.7lbs (7.1kg)



## Ordering Information

IDV Product Name	10 Cartridge Length	S- Material of Construction	1- Inlet / Outlet Connection Size	CB- Tri-Clamp Bracket	6 Cartridge Type
IDV	10 = 10" 20 = 20"	S = 316SS	1 = 1"	CB = Tri-Clamp Bracket	6= Single Open End with 226 O-rings, Flat Closed End